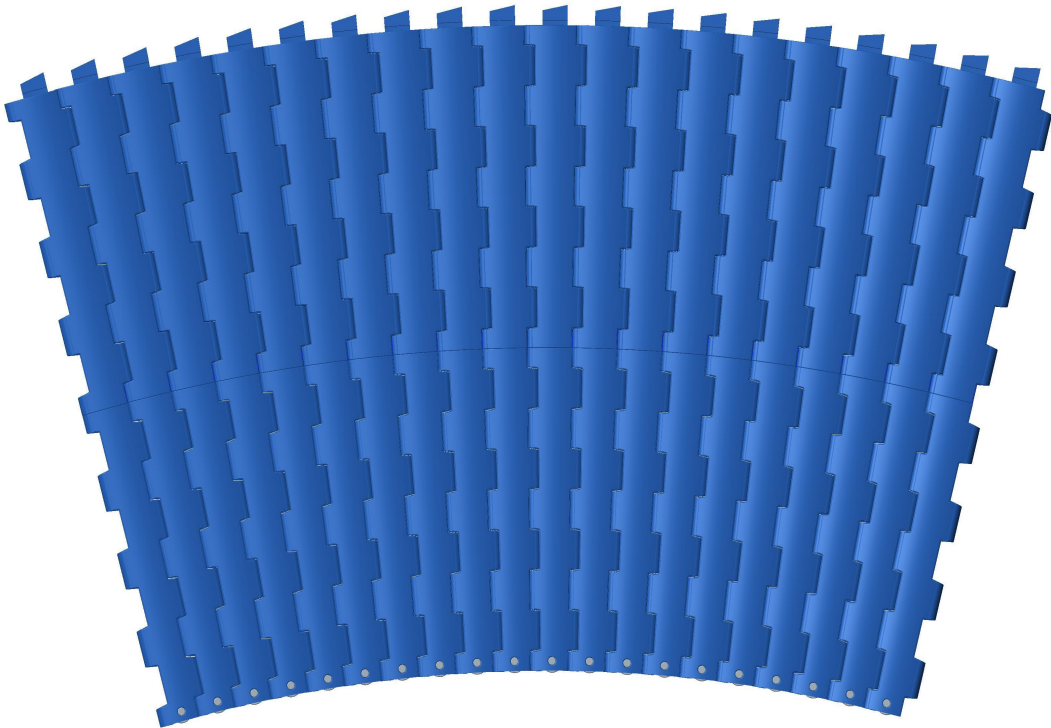


HS-2000A-RC Technical Data Sheet



Fixed Radius: 1000mm Minimum Width: 200mm Open Area: 0% Approved: FDA Rod: Ø 4.9mm Flight: No Side Guard: No Curve: Yes	
--	--

Data

Belt Material	Belt Strength		Temperature	
	Straight		°C (min.)	°C (max.)
	Kg/M(BW)	N/M(BW)		
Polypropylene	1600	16000	1	100
Polyethylene	1550	15500	-60	60
Acetal	2640	26400	-40	80
Nylon	2230	22300	1	180

BW – Belt Width

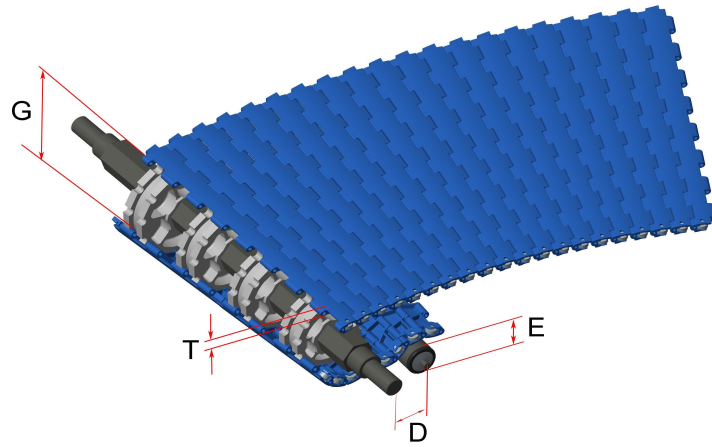
Color Table

Polypropylene			Polyethylene				Acetal				Nylon									
W	G	N	DB	B	W	G	N	DB	B	W	G	N	DB	B	W	G	N	DB	B	
●	●		●					●							●					

W-White, G-Gray, N-Nature, DB-Darkbrown, B-Blue

Friction Table

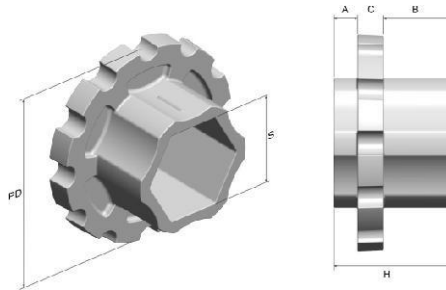
Belt Material	Friction Wear strips&Products							
	UHMW	HDPE	Steel	Glass	SUS	Plastic	Cardboard	Aluminum
Polypropylene	0.32	0.24	0.15	0.09	0.13	0.08	0.15	0.25
Polyethylene	0.13	0.11	0.26	0.19	0.31	0.16	0.21	0.41
Acetal	0.11	0.09	0.27	0.16	0.26	0.15	0.19	0.28
Nylon	0.18	0.13	0.25	0.16	0.26	0.16	0.19	0.27



Conveyor Frame Dimensions

Unit : mm

No. Teeth	D (Min.)	E (Min.)	G	T
12	200	40	5.6°	10

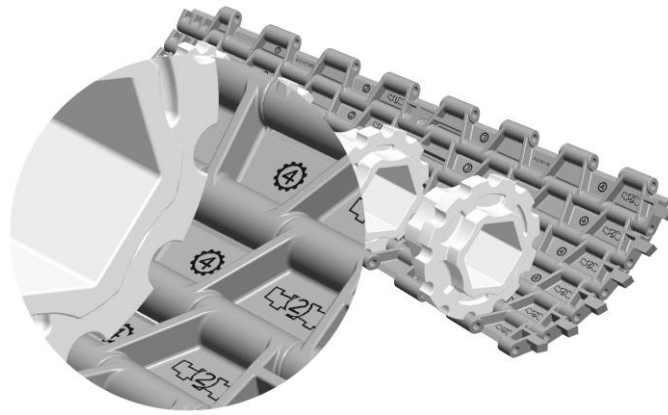


Sprocket Dimensions

Unit: mm

Belt Width	Sprocket No.	PD	S	A	B	C	H
200	5	100	41.5	10	29	11	50
	6	110		10	29		
400	7	120		10	29		
	8	130		10	29		
600	9	140		10	29		
	10	150		10	29		
800	11	159		10	29		
	12	168		10	29		
1000	13	178		10	29		
	14	188		10	29		
1200	15	197		10	29		
	16	206		10	29		
1400	17	217		10	29		
	18	226		10	29		

Installation of sprockets



Please install the sprockets according to the graphical representation.

HS-2000A-RC Flat Top Radius Modular Conveyor Belt

HS-2000A-RC Flat Top Radius Modular Conveyor Belt is developed specially for logistics transportation by HONG'S BELT. The inside turning radius of HS-2000A-RC is 1000mm, it is fixed and doesn't change with the width. Width of HS-2000A-RC ranges from 200mm to 1400mm (200mm, 300mm, 400mm, 500mm, 600mm, 700mm, 800mm, 900mm, 1000mm, 1100mm, 1200mm, 1300mm, 1400mm). Max width is 1400mm, which can meet the wide range of requirements of logistics transportation.

Driving Mode of HS-2000A-RC

For turning conveyors installed with traditional PVC conveyor belt, the belt is fixed with unstable bearing parts, so the life time of it is very short and the structure of the conveying machine is large; At the same time, the belt is driven by smooth roller, so it is easy to slip, which causes the low tension force and usually affects the production.

HS-2000A-RC Flat Top Radius Modular Conveyor Belt is designed with module structure, and is driven by sprockets, which solves the slip of belt and ensure the belt in most stable condition in operation.

The bore of HS-2000A-RC sprocket is 41.5mm hexagon, it can be matched with 41mm standard hexagonal shaft, so it is easy to get and process the raw material, more importantly, this design solves the chordal action of quadrilateral shaft and brings more stable operation.

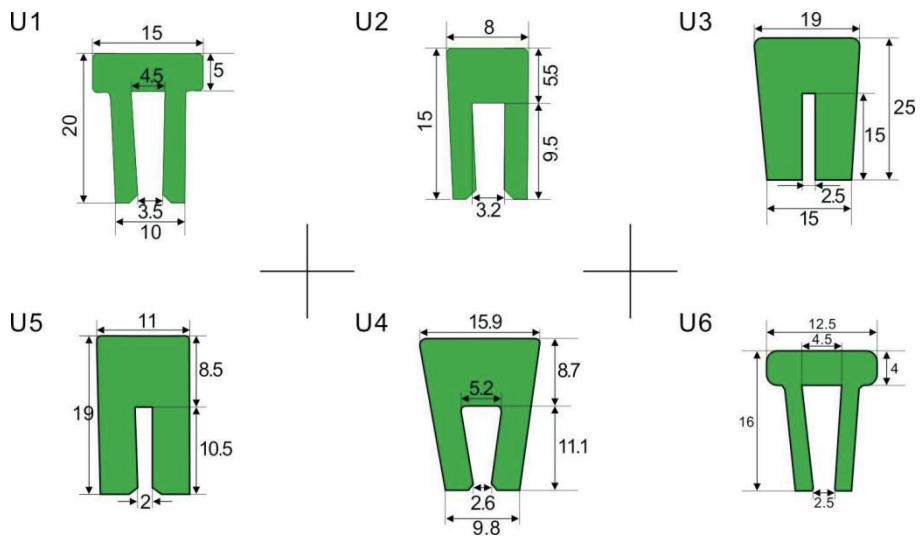
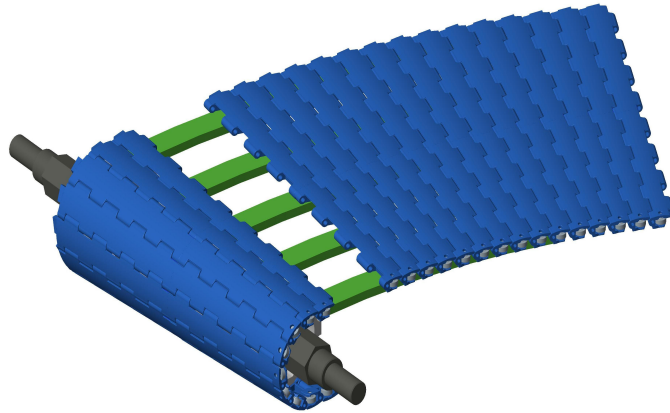
Advantages of HS-2000A-RC

HS-2000A-RC Flat Top Radius Modular Conveyor Belt is stable in operation, and because of its fixed structure design, straight sections are not needed in driving end, which save the manufacturing cost and the space of conveying system.

HS-2000A-RC Flat Top Radius Modular Conveyor Belt is made from Acetal, it can endure instant impact with low friction coefficient and high impact resistance, tensile strength of it is 10 times stronger than common radius PVC Conveyor belt.

HS-2000A-RC Flat Top Radius Modular Conveyor Belt is driven by sprockets, and can endure instant high-speed and big load capacity. It is widely used in Paper, Printing, Beverage, Packaging industry etc. both for light-duty and heavy-duty conveying.

Guide Rail & Wear Strips



⌘ We have different kinds of guide rail and wear strips for your choice; for more information, please consult our sales team.

